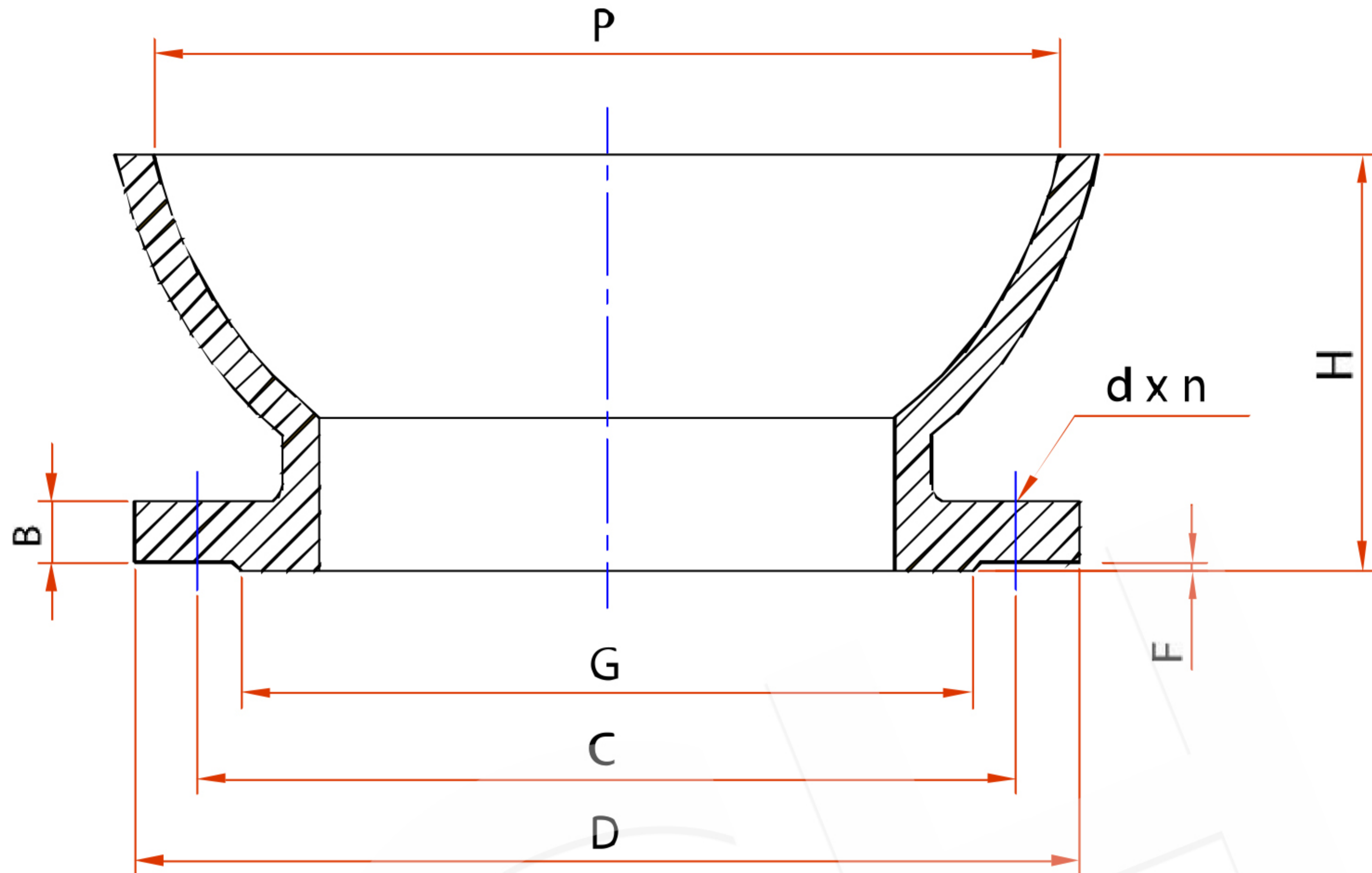


DRAIN BOWL

กรวยน้ำตัน



| DN | Dimension | | | | | | | | e | P | H |
|-----|-----------|-----|-----|----|---|----|----|-------|------|-----|-----|
| | D | C | G | B | F | d | n | bolts | | | |
| 100 | 220 | 180 | 156 | 21 | 3 | 19 | 8 | M.16 | 10.5 | 186 | 100 |
| 150 | 285 | 240 | 211 | 23 | 3 | 23 | 8 | M.20 | 11.7 | 237 | 110 |
| 200 | 340 | 295 | 266 | 23 | 3 | 23 | 8 | M.20 | 12.8 | 285 | 120 |
| 250 | 395 | 350 | 319 | 25 | 3 | 23 | 12 | M.20 | 14.0 | 334 | 130 |
| 300 | 445 | 400 | 370 | 24 | 3 | 23 | 12 | M.20 | 15.2 | 382 | 140 |
| 400 | 565 | 515 | 480 | 28 | 3 | 28 | 16 | M.25 | 17.5 | 526 | 180 |